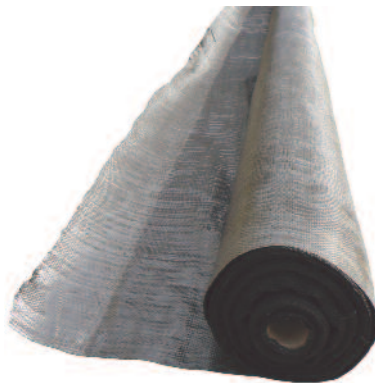


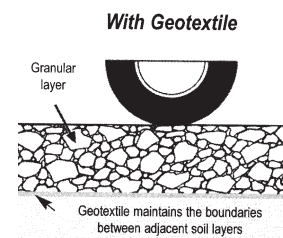
GEOTEXTILES

Geolay

A geotextile fabric, manufactured from extruded polypropylene tapes which are resistant to all naturally occurring soil acids and alkalis. Used for the ground stabilisation to stop inter-mixing of the top granular layer with soft sub-grade.



Code	Size
GL450	4.5 x 100m



GROUND HEAVE

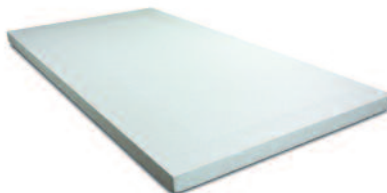
Claylite

A compressible fill, low density expanded polystyrene. Used to reduce the pressure exerted on reinforced concrete ground beams or on the vertical face of concrete foundations, caused by the expansion of clay soils (clay heave) during the life of the structure.

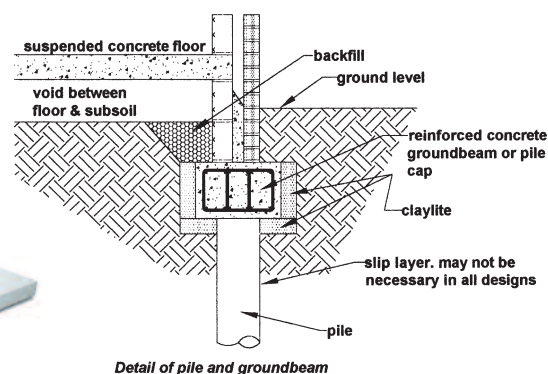
Claylite for standard applications with ground beams and in even sided trenches.
Claylite Castellated for fitting under lightweight ground beams.

Claylite Super for extra strength in uneven sided trenches.

Claylite Super Castellated gives added strength and stability over Claylite Castellated.



Code	Item	Size
CL50	50mm Claylite	1.2 x 2.4m
CL75	75mm Claylite	1.2 x 2.4m
CL100	100mm Claylite	1.2 x 2.4m



PERMANENT FORMWORK

Formrib (Expamet Hy-Rib)

An expanded zinc coated steel mesh sheet, used during concrete pours to form construction joints and stop ends. Can also be used in the construction of *in situ* horizontal floor slabs. Easily cut and bent into required shape



Code	Length	Width	Thickness	Weight Sheet
RIB2	2m	0.445m	0.575mm	4.272
RIB3	3m	0.445m	0.575mm	6.408